

ZELLPPELL FLAMMABLE SENSOR + 4-20mA TRANSMITTER

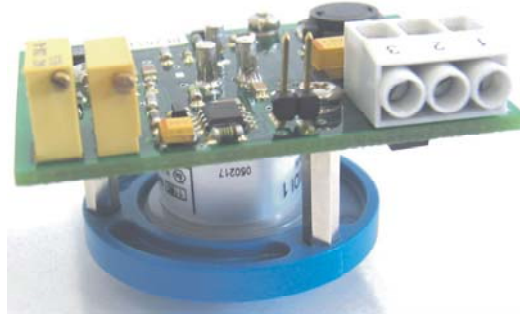


Figure 1. Zellopell LEL sensor + 4-20mA transmitter showing zero and span potentiometer and screw terminals, with installation ring and distance bolts.
Part no. 2112B1000. Measuring range: 0-100% LEL



Figure 2. LEL sensor plugged on 4-20 mA transmitter

SPECIFICATION

Principle:	electro-catalytic
Operation:	continuous
Gas entry:	by diffusion
Measuring range:	0-100% LEL of flammable gases
Response time t90:	< 10 sec
Temperature range:	-20 °C up to +40°C
Humidity range:	15-90% relative humidity, non-condensing
Long term zero drift:	smaller +/- 5% LEL / year
Long term span drift:	smaller +/- 2% LEL / year
Power supply:	24 V d.c.
Dimensions:	41 x 56 mm, 26 mm high

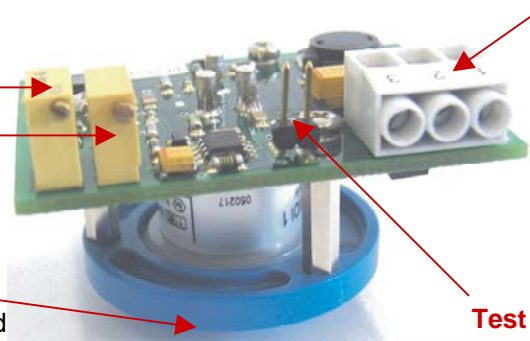


ZELPELL FLAMMABLE SENSOR + 4-20 mA TRANSMITTER

Potentiometer

for calibration adjustment

Zero →
Span →



Screw terminals

Terminals 1 and 3 are for the 24V d.c. power supply (+/-10%). Terminal 1 is +24V. Terminal 3 is 0V. The measuring signal +4-20mA output is available at terminal 2.

Test Gas

For calibration, flow required level of gas through a test flow cap. Test Gas Cap and Calibration Gases also available from Euro-Gas. Please ask for details

Test pins for one man calibration; 0.4 – 2.0 volts signal output

Figure 3. Instructions
Zellopell LEL sensor
with 4-20mA transmitter
and installation kit.
Part no. 2112B1000



Figure 4. Test gas cap
Part no. 2112B1010

Two wire screw terminal: The transmitter has a three wire screw terminal to connect a 24V d.c. power supply. Terminal 1 is for +24V. Terminal 3 is for 0V.

On terminal 2 you will receive the 4-20 mA signal output. When there is zero LEL concentration, you will receive a 4mA signal. With an 100% LEL concentration, you will receive a 20mA signal.

The transmitter is precalibrated. The standard calibration is on Methane CH_4 . An optional calibration is on Propane C_3H_8 . Please specify your preference when ordering.

Potentiometer: This is used for adjusting the signal to the correct value if you apply a test gas concentration to the transmitter and it gives an incorrect signal.

Test pins: The two test pins allow for one man calibration. Please kindly note that the signal here is not 4-20 mA but **0.4 – 2.0 Volts**.



ZELPELL FLAMMABLE SENSOR + 4-20 mA TRANSMITTER

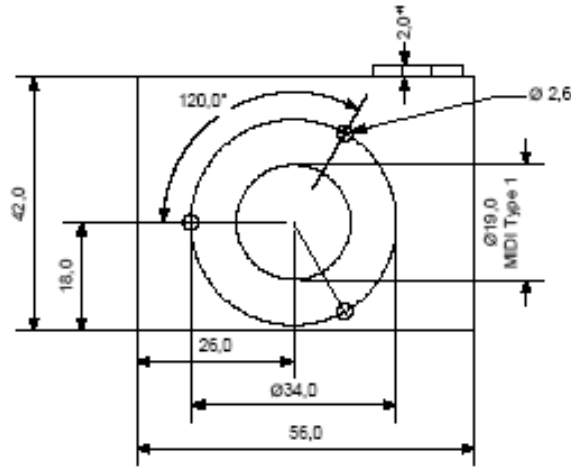


Figure 5. Dimensions of Zellpell LEL sensor with 4-20mA transmitter

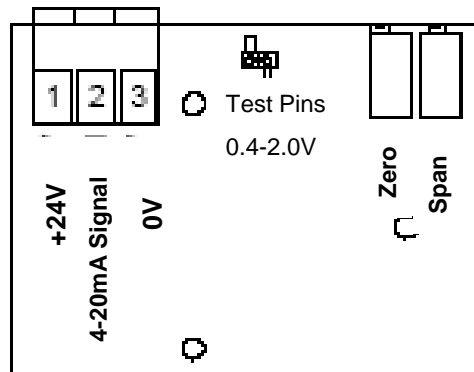


Figure 6. Transmitter screw terminals: 1 and 3 for power supply 24V d.c.
The measuring signal 4-20mA is available at terminal 2.

The data contained in this document is believed to be accurate and reliable. The data given is for guidance only. Euro-Gas Management Services Ltd accepts no liability for any consequential losses, injury or damage resulting from the use of this datasheet or the information contained in it. Customers should test the sensors under their own conditions to ensure that the sensors are suitable for their own requirements and in accordance with the plans and circumstances of the specific project and any standards/regulations pertaining to the country in which the sensors will be utilised. This datasheet is not intended to form the basis of a contract and in the interest of product improvement, Euro-Gas reserves the right to alter design features and specifications without notice. 08/10

