



Innovation, Quality and Expertise for Gas Detection.

SureCell - Cl₂

Operating Performance

Operating Principle	3-electrode electrochemical
Gas Detected	Chlorine
Measurement Range	0-20 ppm
Maximum Overload ²	50 ppm
Expected Operating Life	2 years in air
Output Signal	0.50 ±0.10µA per ppm
Temperature Range	Continuous: -20°C to +40°C Intermittent: -40°C to +55°C
Pressure Range	1 atm ±10%
Humidity Range (non-condensing)	Continuous: 15 - 90% RH Intermittent: 0 - 99%RH
Response Time (T ⁵ ₉₀)	<60 seconds
Baseline Offset (clean air)	<±0.25ppm equivalent
Zero Shift (-40 to +55°C)	<±0.5ppm equivalent
Long Term Output Drift	<2% per month
Repeatability	<±5%
Linearity	Linear <±3%
Recommended Load Resistor	5Ω
Bias Voltage	Not required

Intrinsic Safety Data

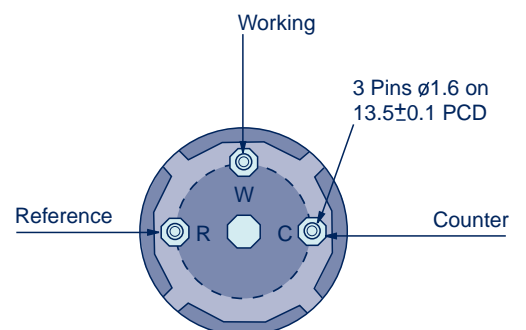
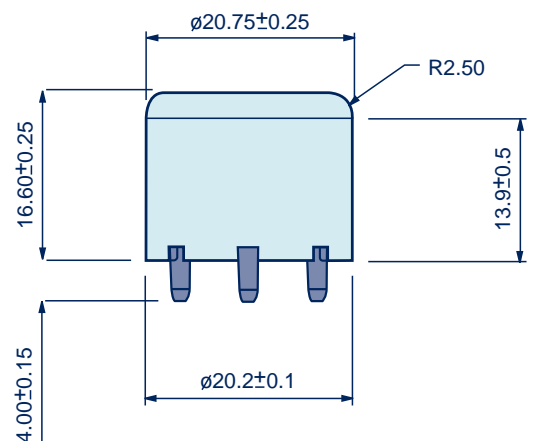
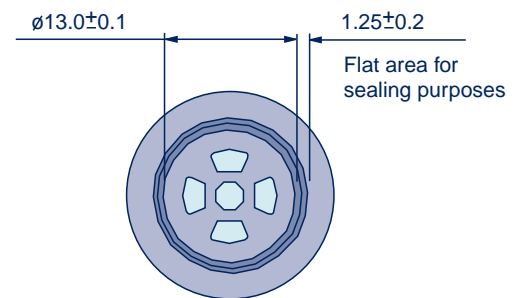
Maximum at 50ppm	0.05mA
Maximum o/c Voltage	0.8V
Maximum s/c Current	<1.0A

Physical Specification

Weight	5g (approx)
Housing Material	Noryl 110
Storage Life	6 months in sealed container
Storage Conditions	+10°C to +30°C
Orientation	Any
Warranty Period	18 months from date of despatch

Ordering Details

Part Number	2112B2035
-------------	-----------

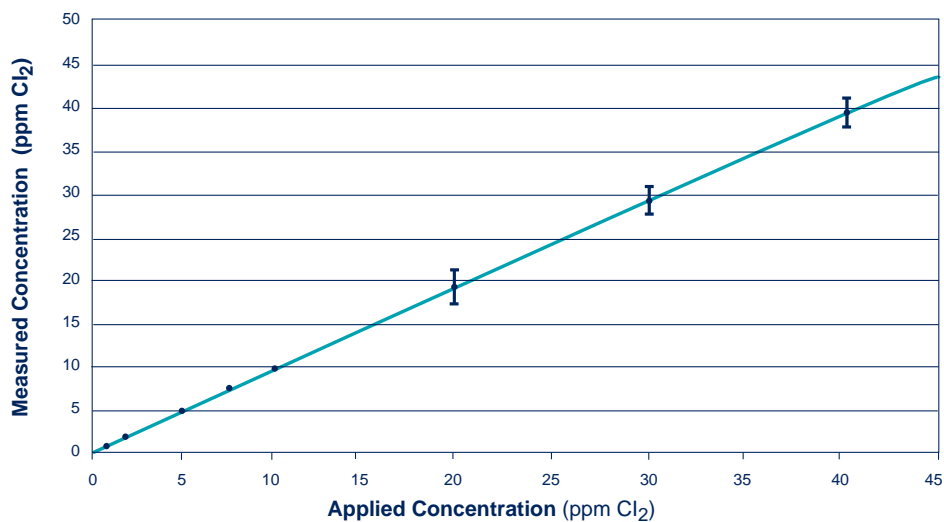




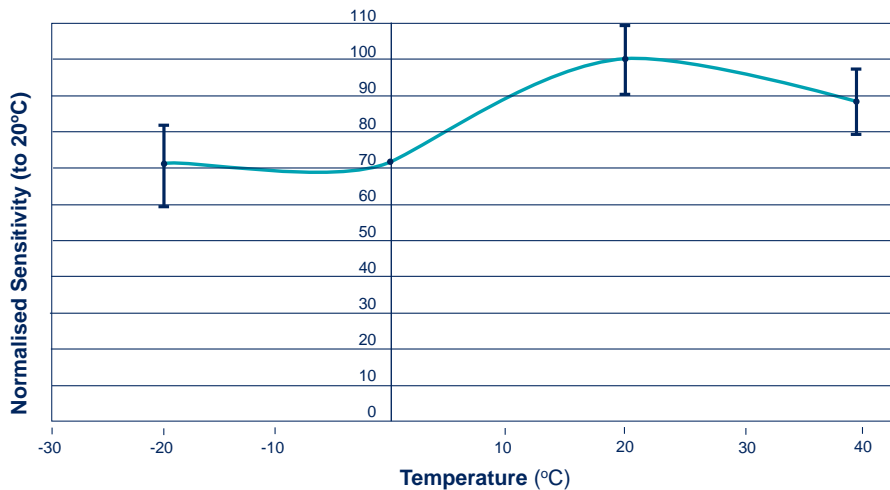
Additional Information

Innovation, Quality and Expertise for Gas Detection.

Linearity of Cl₂ SureCells across Measurement Range



Temperature Coefficients of Chlorine SureCells



Cross Sensitivity Table

Gas	Concentration Used (ppm)	Reading (ppm Cl ₂)	Gas	Concentration Used (ppm)	Reading (ppm Cl ₂)
Hydrogen Sulphide	25	-16.3	Carbon Dioxide	20000	0
Sulfur Dioxide	50	9.1	Ammonia	50	-1.9
Nitrogen Dioxide	50	1.25	Hydrogen Chloride	9	1.25

In the interest of product improvement, Sixth Sense reserves the right to alter design features and specifications without notice. Unless otherwise stated, all product specifications are quoted at standard temperature and pressure.

***Note:** The figures in this table are typical values and should not be used as a basis for cross calibration. Cross sensitivities may not be linear and should not be scaled. All data based on a 5 minute gassing. For some cross interferences break through will occur if gas is applied for a longer time period.

4-20mA BOARD FOR SURECELL

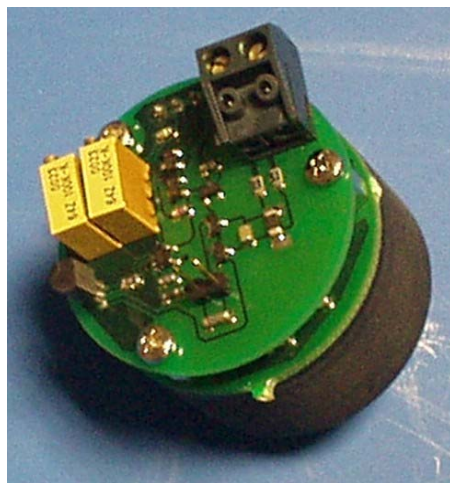


Figure 1. 4–20mA transmitter with zero and span potentiometer, screw terminals and installation ring, complete with SureCell sensor CO(H) or H₂S(L) or Cl₂

- With SureCell Carbon Monoxide CO (M): range 0-1000 ppm
- With SureCell Hydrogen Sulphide H₂S (L): range 0-200 ppm
 - With SureCell Chlorine Cl₂: range 0-20 ppm

Output signal: 4 – 20 mA using two-wire technology

Features

Electronic transmitter designed to equivalent sensors

Measuring signal 4 – 20 mA

Calibration on required range

User benefits

Immediate use and evaluation of electrochemical SureCells

Standard interface

Equivalent to specification



4-20mA BOARD FOR SURECELL

SPECIFICATION

Measuring principle:	Electrochemical
Operation:	continuous
Gas entry:	by diffusion
Range:	CO: calibratable up to 1000 ppm CO f.s.d. H ₂ S: calibratable up to 200 ppm H ₂ S f.s.d. Cl ₂ : calibratable up to 20 ppm Cl ₂ f.s.d.
Repeatability:	CO: < ± 3% of signal H ₂ S: < ± 3% of signal Cl ₂ : < ± 5% of signal
Response time:	CO: t ₉₀ < 30 sec H ₂ S: t ₉₀ < 10 sec Cl ₂ : t ₉₀ < 60 sec
Cross sensitivity:	see equivalent sensor data sheet
Linearity:	CO: < ± 5% of nominal value H ₂ S: < ± 5% of nominal value Cl ₂ : < ± 3% of nominal value
Temperature range:	-20°C to +40°C
Humidity range (non-condensing):	15 – 90% r.H.
Operating voltage:	24 V ± 10% d.c.
Output signal:	4 – 20 mA, two-wire; max. load 500 Ω Ohms at 24 V d.c. (+/- 4V)
Zero adjustment:	via potentiometer
Span adjustment:	via potentiometer
RFI:	according EN 50082
Storage conditions:	+ 10°C to +30 °C
Mechanical design:	SureCell sensor plugged into transmitter and surrounded by installation ring
Dimensions:	40 mm Ø, 55 mm high
Warranty period:	6 months from despatch date



Operating Instructions for SureCell Sensors (CO(M), H₂S(L) or Cl₂) + 4-20 mA pcb

Potentiometer

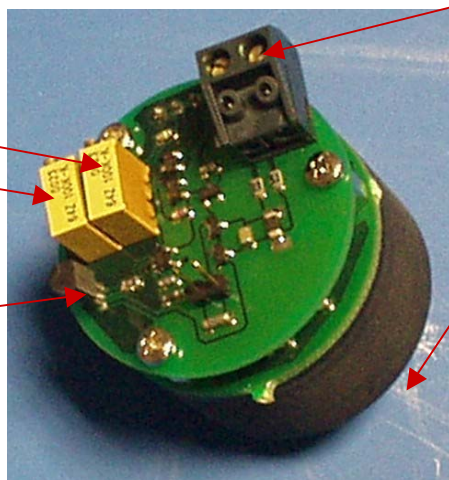
for calibration adjustment

Zero potentiometer

Span potentiometer

Test pins for one man calibration;

0.4 – 2.0 volts signal output



Two wire screw terminal

for 24V d.c. power supply (+/-10%); +4-20mA signal output

Please note: No polarity (+/-) requirements

Test Gas

For calibration, flow relevant gas through a test flow cap. Test flow cap, installation kit and calibration gases also available from Euro-Gas. Please ask for details

Two wire screw terminal: The transmitter has a two wire screw terminal to connect a 24V d.c. power supply. There is no polarity requirement across the two screw terminals (i.e. there is no +/- logic). On the same two wires, you will receive the 4-20 mA signal output. The transmitter is precalibrated on:

With SureCell CO (M): 0-1000ppm CO range

With SureCell H₂S (L): 0-200ppm H₂S range

With SureCell Cl₂: 0-20ppm Cl₂ range

When there is zero gas concentration, you will receive a 4mA signal. With the full concentration, you will receive a 20mA signal.

Potentiometer: This is used for adjusting the signal to the correct value if you apply a test gas concentration to the transmitter and it gives an incorrect signal.

Test pins: The two test pins allow for one man calibration. Please kindly note that the signal here is not 4-20 mA but **0.4 – 2.0 Volts**.

<u>Gas Concentration</u>					
CO	0ppm	250ppm	500ppm	750ppm	1000ppm
H ₂ S	0ppm	50ppm	100ppm	150ppm	200ppm
Cl ₂	0ppm	5ppm	10ppm	15ppm	20ppm
Signal at wires	4 mA	8 mA	12 mA	16 mA	20 mA
Signal at test pins	0.4 V	0.8 V	1.2 V	1.6 V	2.0 V



EURO-GAS MANAGEMENT SERVICES LTD, REVELSTOKE HOUSE,
STOKE ROAD, NOSS MAYO, PLYMOUTH, DEVON PL8 1EY, UK

☎: +44 (0)1752 872222 Fax: +44 (0)1752 872223

euro-gas@btconnect.com

www.euro-gasman.com

EURO-GAS
MANAGEMENT SERVICES LTD

4-20mA BOARD FOR SURECELL

SPECIFICATION

Part Numbers

CO(M) sensor with transmitter:	2112B1020
H ₂ S(L) sensor with transmitter:	2112B1015
Cl ₂ sensor with transmitter:	2112B1035

Accessories

- Installation kit suitable for all transmitters above, part no: 2112B1022
- Test gas cap, part no: 2112B1010
- Gas Measuring System – sensor with transmitter and installation kit, provided as a complete housed unit in aluminium housing:

CO Gas Measuring System:	Part no. 2112B1023
H ₂ S Gas Measuring System:	Part no. 2112B1016
Cl ₂ Gas Measuring System:	Part no. 2112B1018



Figure 2. Test gas cap
Part no. 2112B1010



Figure 3. Gas Measuring System

SureCell sensor with 4-20mA transmitter and installation kit, provided as a complete unit, fitted into aluminium housing.

Part no.:	CO: 2112B1023. Range: 0-1000ppm CO
	H ₂ S: 2112B1016. Range: 0-200ppm H ₂ S
	Cl ₂ : 2112B1018. Range: 0-20ppm Cl ₂

The data contained in this document is believed to be accurate and reliable. The data given is for guidance only. Euro-Gas Management Services Ltd accepts no liability for any consequential losses, injury or damage resulting from the use of this datasheet or the information contained in it. Customers should test the sensors under their own conditions to ensure that the sensors are suitable for their own requirements and in accordance with the plans and circumstances of the specific project and any standards/regulations pertaining to the country in which the sensors will be utilised. This datasheet is not intended to form the basis of a contract and in the interest of product improvement, Euro-Gas reserves the right to alter design features and specifications without notice. 08/10

